

PRESSE MOTTE GERMA GCS 400

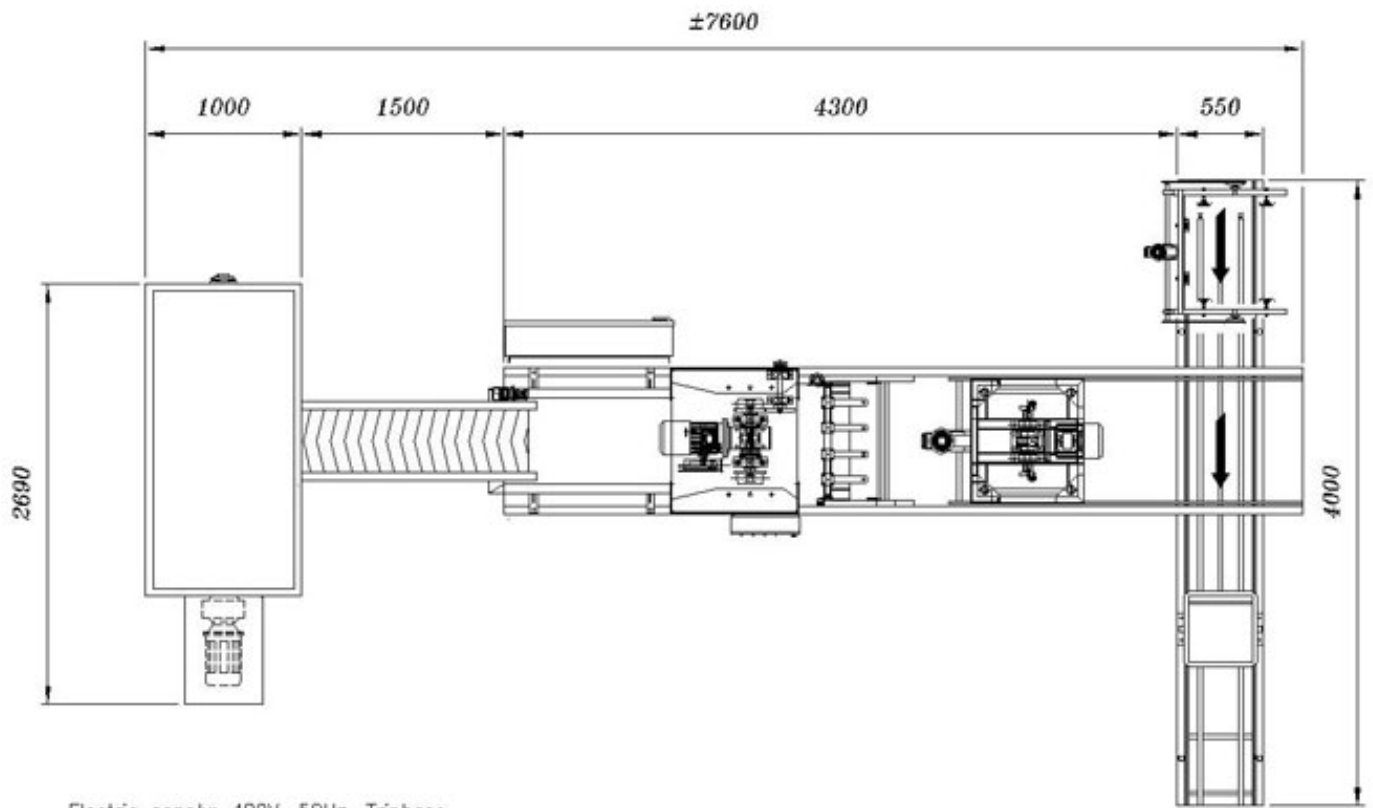


FIG. 12 - PRESSE MOTTE GERMA GCS 400 - 500W - 230V - 50Hz



4.50 m x 2.10 m



V. 400 Kw 20



300 - 500 plaques/h



850 L/1'